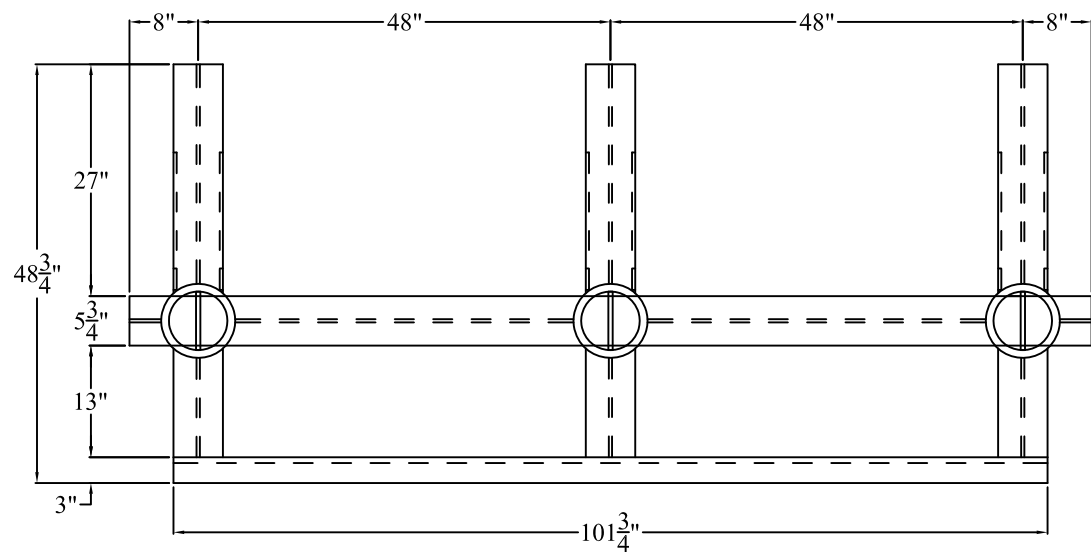


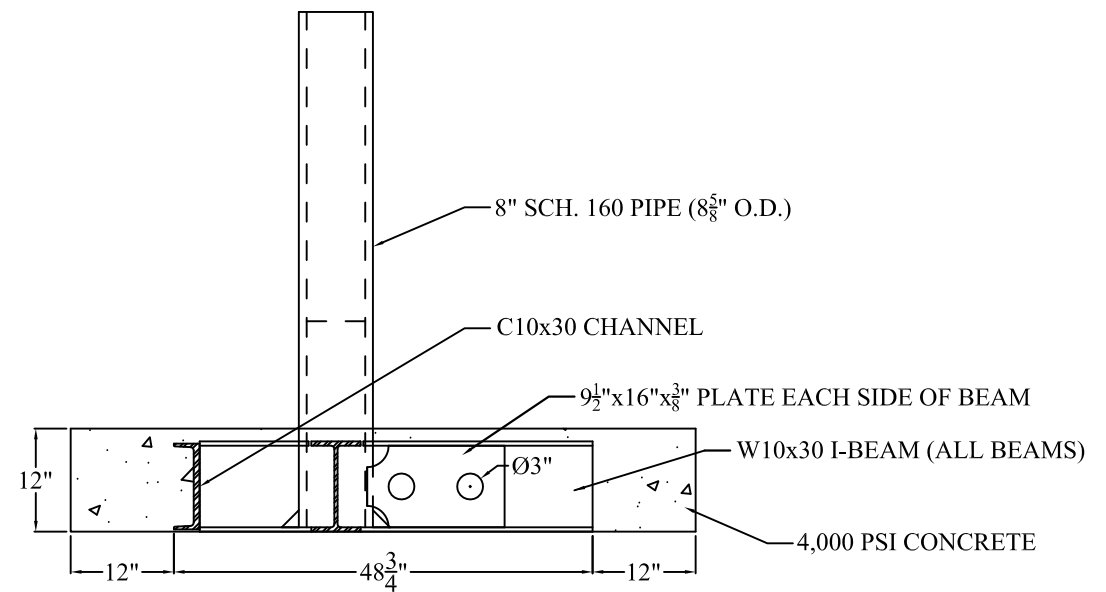
ELEVATION

1/2" = 1'-0"



SHALLOW MOUNT BOLLARD PLAN (BANK OF 3)

1/2" = 1'-0"



SECTION

1/2" = 1'-0"

- * BOLLARD ASSEMBLY IS HOT-DIP GALVANIZED AFTER FABRICATION.
- * AS PER CBB'S REQUEST, ALL BOLLARDS ARE TO BE MADE TALLER THAN THE ORIGINAL PLANS SHOWN WHICH WILL ALTER THE FOOTER DEPTH SHOWN.
- * TOP OF BOLLARD MUST BE SET 36" ABOVE FINISHED GRADE TO ACCEPT BOLLARD COVERS.

THIS DOCUMENT CONTAINS INFORMATION DEEMED CONFIDENTIAL AND PROPRIETARY TO NASATKA BARRIER, INC. AND MAY NOT BE REPRODUCED IN WHOLE OR IN PART WITHOUT THE EXPRESS WRITTEN PERMISSION OF NASATKA BARRIER, INC. FURTHER, NO USE OF THIS DOCUMENT OR THE INFORMATION CONTAINED HEREIN MAY BE MADE WITHOUT FIRST SECURING THE PRIOR WRITTEN APPROVAL OF NASATKA BARRIER, INC.

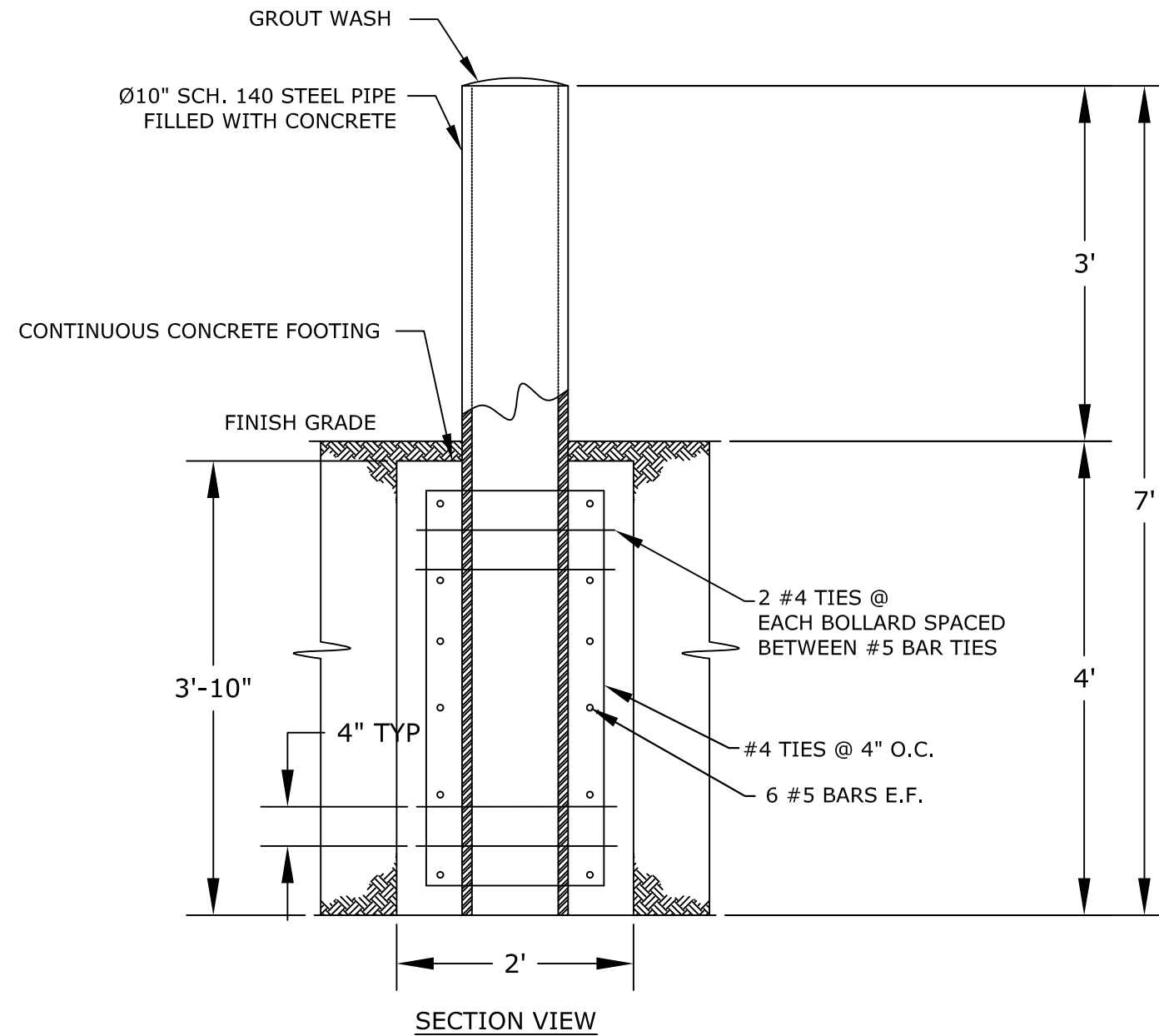
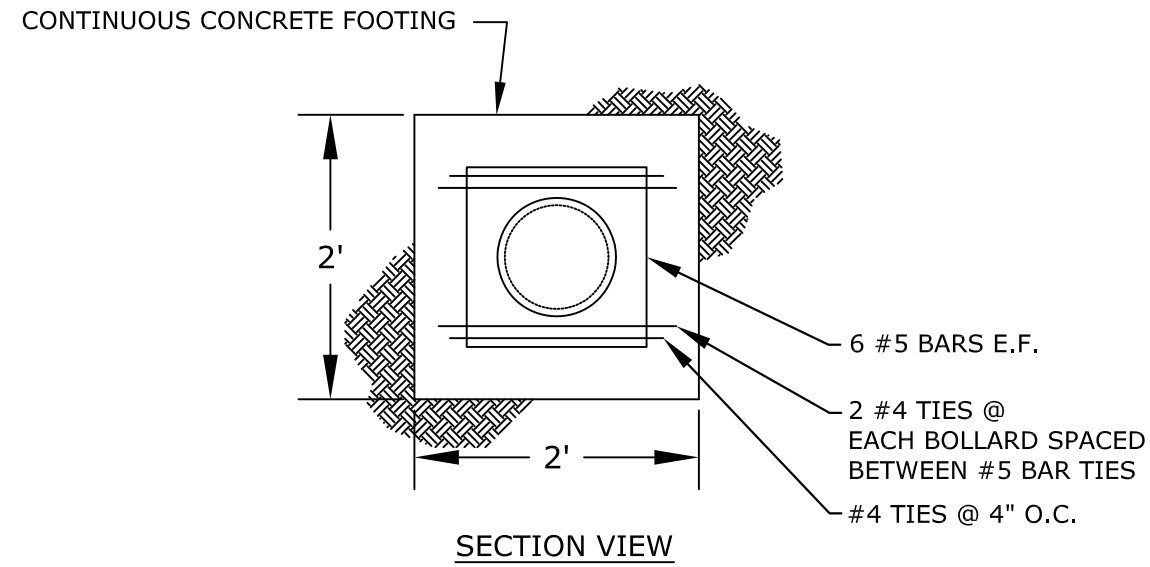
REV.	DATE	DESCRIPTION
		ORIGINAL RELEASE

DESCRIPTION:	MODEL VI F -3 COLUMN BARRIER SHALLOW MOUNT BOLLARD PLAN	CHK BY:	1/29/2014
	###	DRAWN BY:	EMS
		SCALE:	N/T
PART NO.			

Sheet:	Set:
SB-2	VI

1 2 3 4 5

A
B
C
D
E



- NOTES:**
1. 4,000psi CONCRETE STRENGTH.
 2. SOIL BEARING CAPACITY TO BE 1000psf MINIMUM.
 3. TEMPERATURE & SHRINKAGE STEEL TO BE INSTALLED PER LOCAL CODES.



THIS DOCUMENT CONTAINS INFORMATION DEEMED CONFIDENTIAL AND PROPRIETARY TO NASATKA BARRIER, INC. AND MAY NOT BE REPRODUCED IN WHOLE OR IN PART WITHOUT THE EXPRESS WRITTEN PERMISSION OF NASATKA BARRIER, INC. FURTHER, NO USE OF THIS DOCUMENT OR THE INFORMATION CONTAINED HEREIN MAY BE MADE WITHOUT FIRST SECURING THE PRIOR WRITTEN APPROVAL OF NASATKA BARRIER, INC.

REV.	DATE	DESCRIPTION
		ORIGINAL RELEASE

DESCRIPTION:	MODEL VI F-3 COLUMN BARRIER	CHK BY:	4/3/2012
	DEEP MOUNT BOLLARD	DATE:	
	###	DRAWN BY:	NIS
		SCALE:	

Sheet:	Set:
SB-3	VI